

GHT160THV2 Clip On Concealed Hinge

Features

- Sheet metal door can be quickly installed and removal
- Spacers on the slide arms reduce arm wear and door sagging
- Door opens without interfering with side cabinets or wall
- Passed 10,000 life cycle test

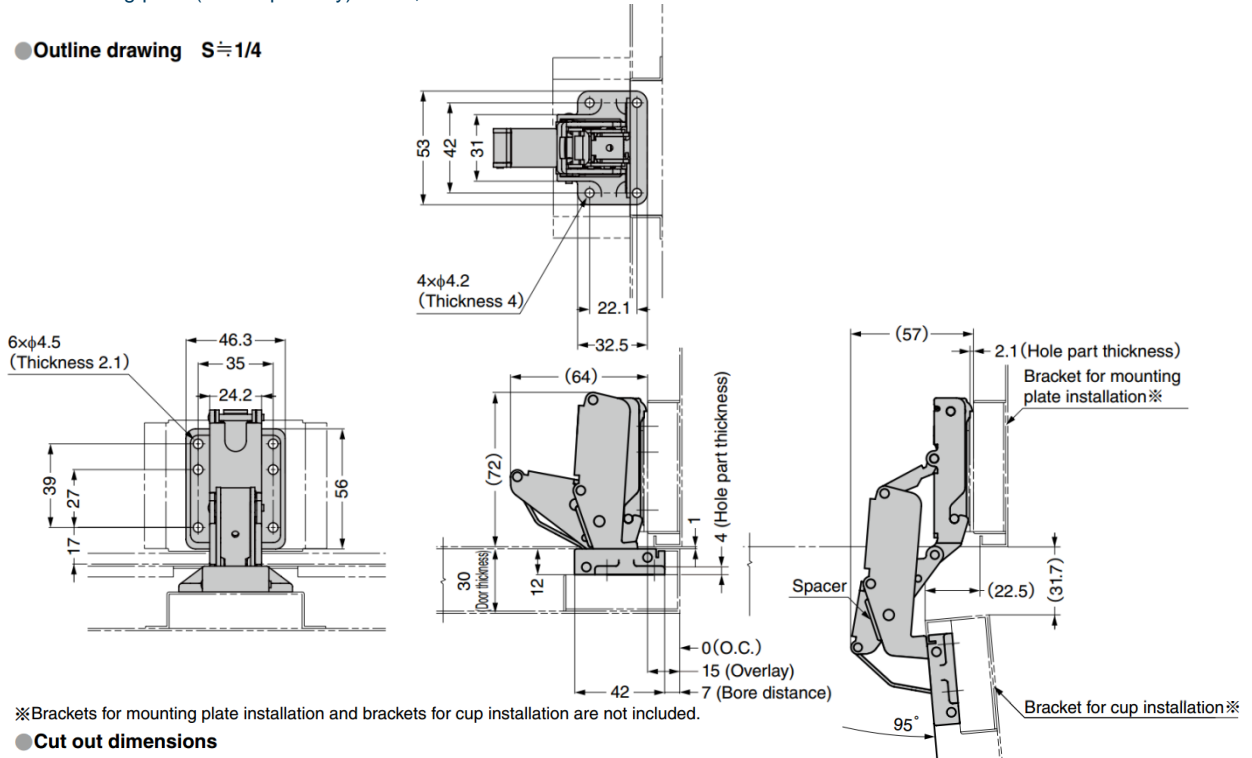
Material

- Hinge body: Steel, nickel finish
- Hinge cup: Zinc alloy, nickel finish
- Hinge spacer: POM, black
- Mounting plate (sold separately): Steel, nickel



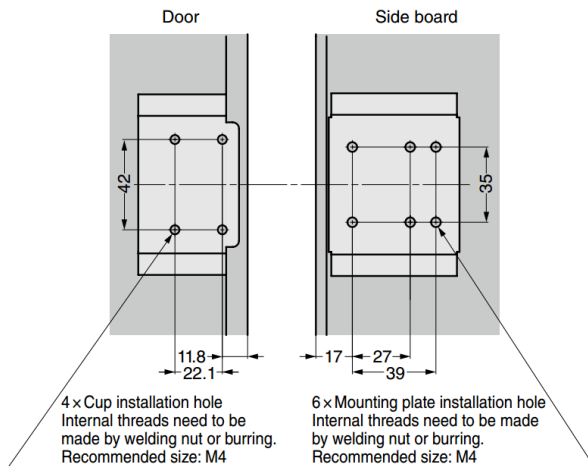
Passed 10,000 open/
close private cycle test

● Outline drawing S ≐ 1/4



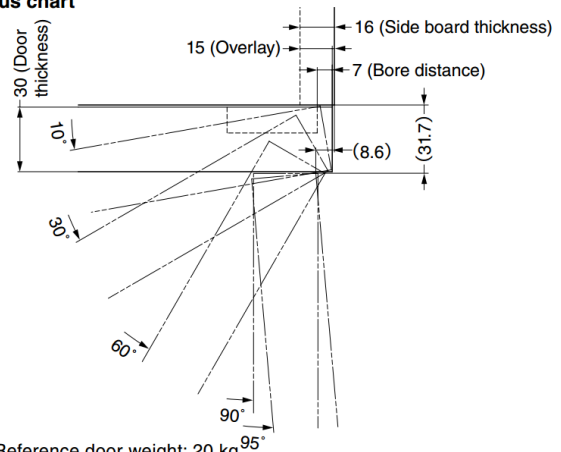
※Brackets for mounting plate installation and brackets for cup installation are not included.

● Cut out dimensions



Drawing above is Bore Distance 7 mm, Door Thickness 30 mm and 15 mm Overlay.

● Locus chart



Reference door weight: 20 kg
(In case of door size W450 × H800, installation pitch 550, using 2 pcs vertically)

Part No.	Description
GHT160THV2-G	Hinge
GHT160TZ	Mounting Plate